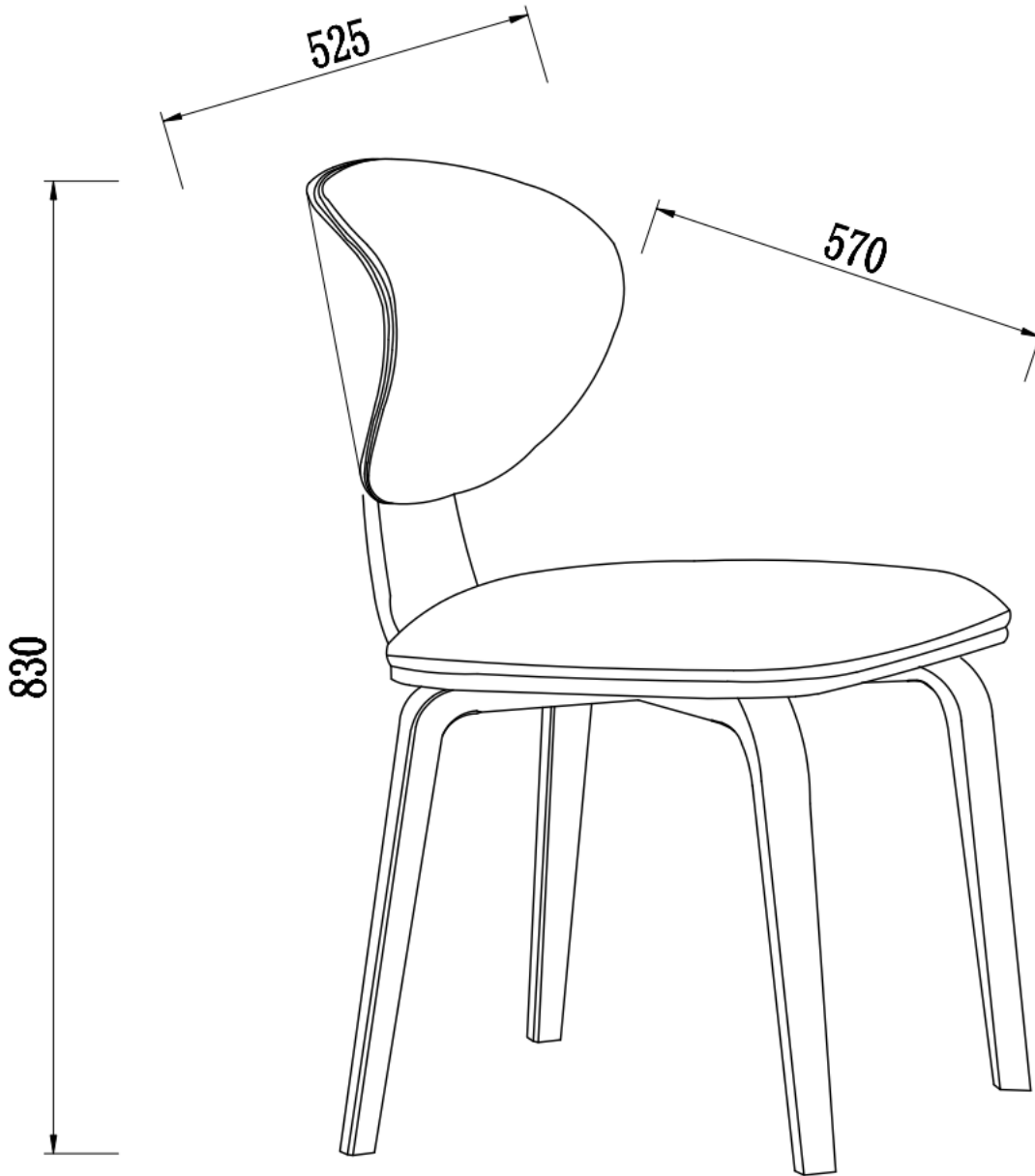




Amart

ASSEMBLY INSTRUCTION WYNYARD DINING CHAIR ITEM CODE 83698



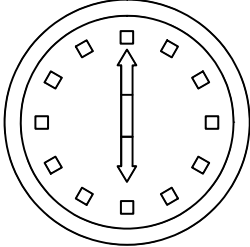
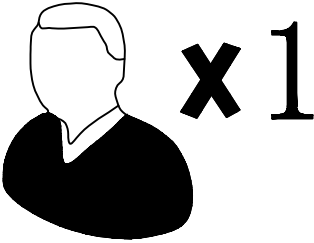
Imported by Amart Furniture Pty Ltd. Qld. Brisbane Australia.
For any assistance with assembly or for missing parts please phone Amart Furniture
Customer Service Free call 1800 351 084

83698

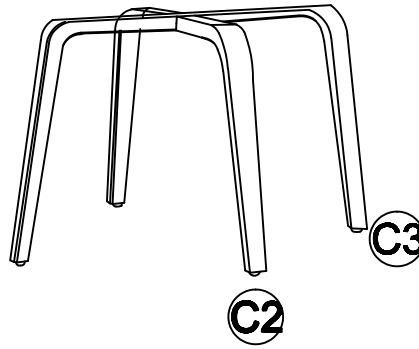
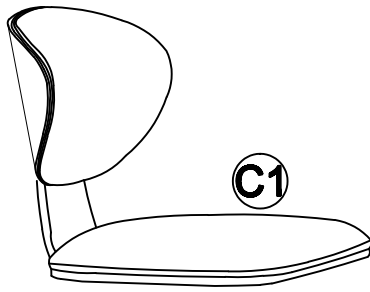
PRE-ASSEMBLY PREPARATION

Before you start:

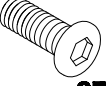



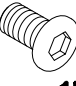
1. Choose a clean, level, spacious assembly area. Avoid hard surfaces that may damage the product
2. Take care when lifting. Product should be assembled as near as possible to the point of use
3. Ensure that you have all required contents for complete assembly.
4. Always read the assembly instructions carefully before beginning assembly.
5. Keep all hardware parts and packaging out of reach of small children.
6. Do not over tighten the screws and bolts as this may damage the threads

	
ALLOW 30 MINUTES	2 PEOPLE REQUIRED

PARTS LIST

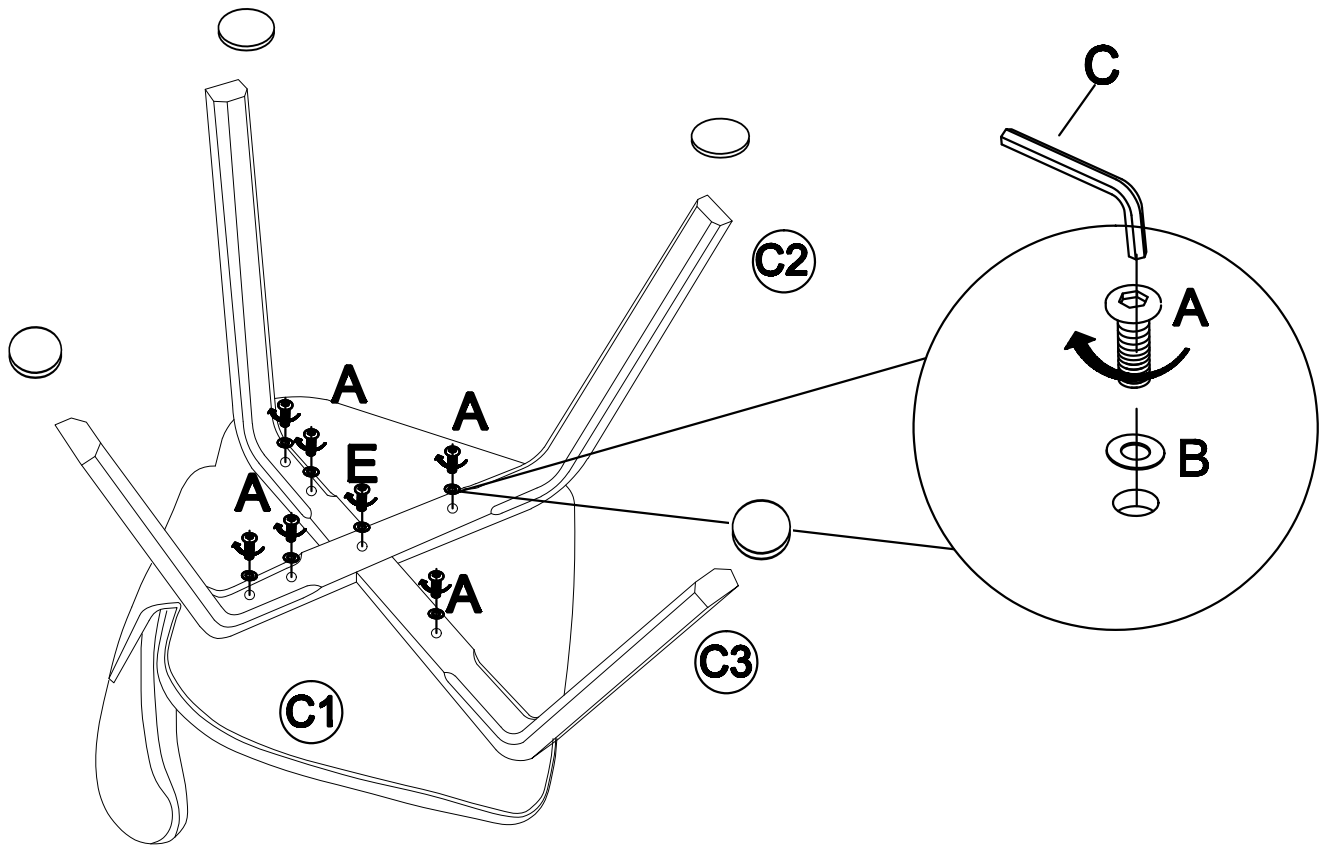


C1	Cushion		
C2	Leg		
C3	Leg		

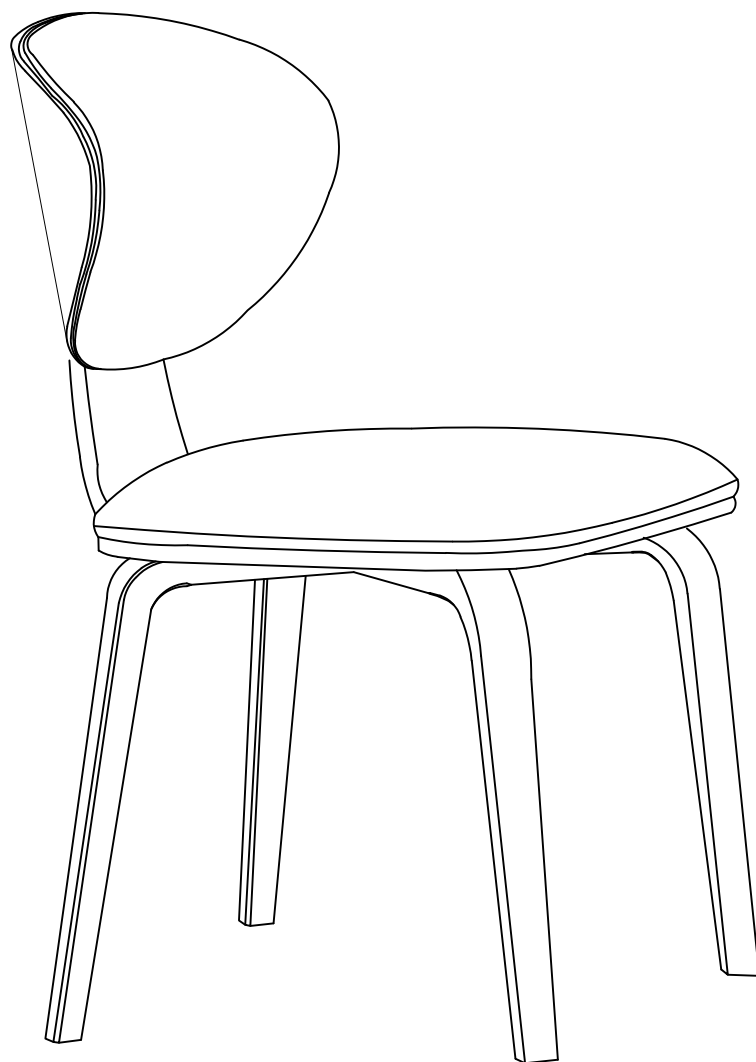
A. Bolt M6x45 <input type="checkbox"/>	B. Washer Ø16 <input type="checkbox"/>	C. Hex key M4 <input type="checkbox"/>	D. Protect foam Ø20x5 <input type="checkbox"/>	E. Bolt M6x30 <input type="checkbox"/>	<input type="checkbox"/>	<input type="checkbox"/>
 6PCS	 7PCS	 1PCS	 4PCS	 1PCS		
<input type="checkbox"/>	<input type="checkbox"/>	<input type="checkbox"/>	<input type="checkbox"/>	<input type="checkbox"/>	<input type="checkbox"/>	<input type="checkbox"/>

STEP 1:

Use Hex Key(C)to attach the Leg(C2,C3)to the Cushion(C1) with Bolt(A,E)and washer (B).Stick Protec foam(D)to the Leg(C2, C3)



Assembly is complete



CHAIRS AND STOOLS

DO NOT:

- Use chair/stool as a ladder
- Climb on the chair/stool
- Stand on the foot-rest of the chair, as this could lead to the stool becoming unbalanced and overturning